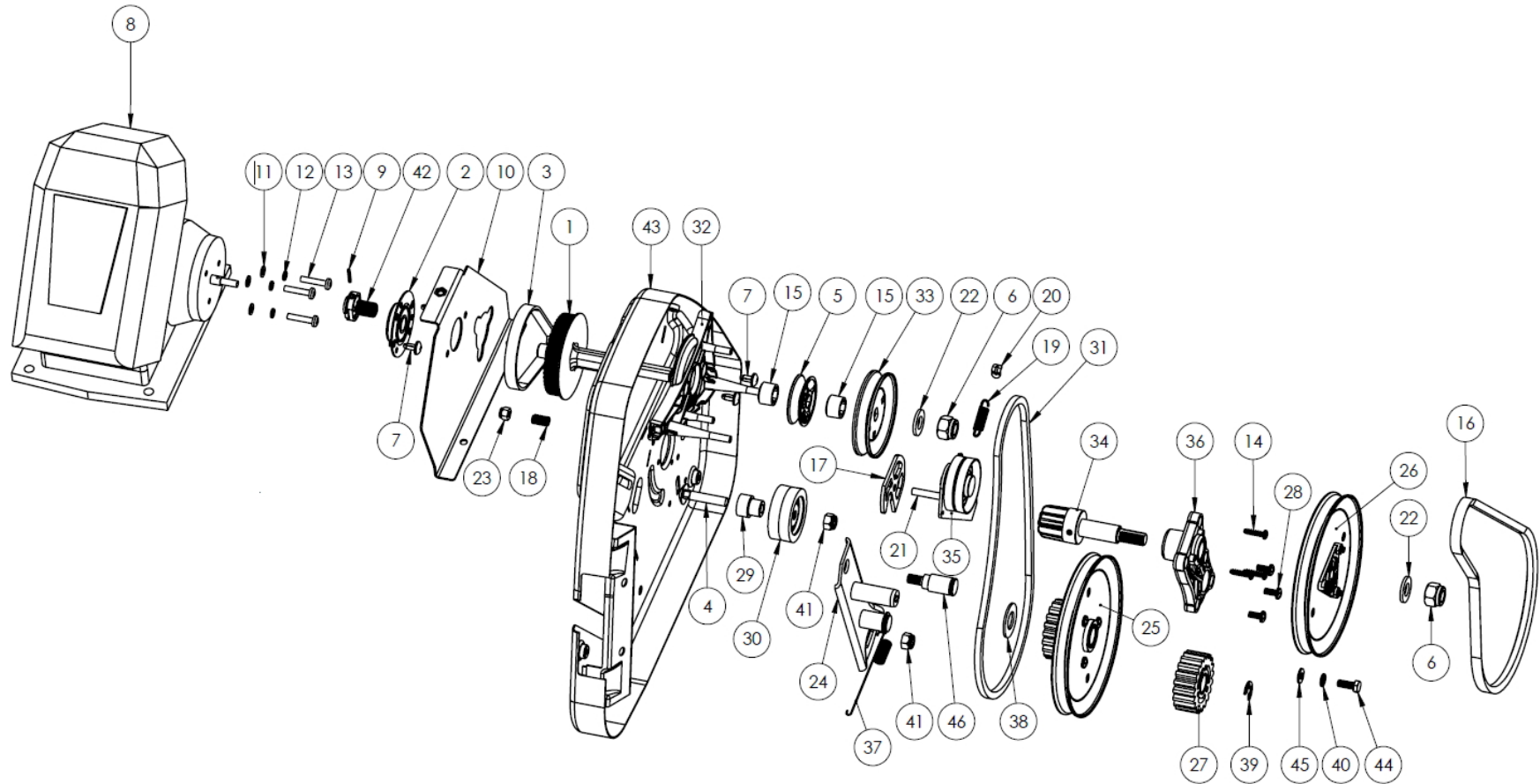


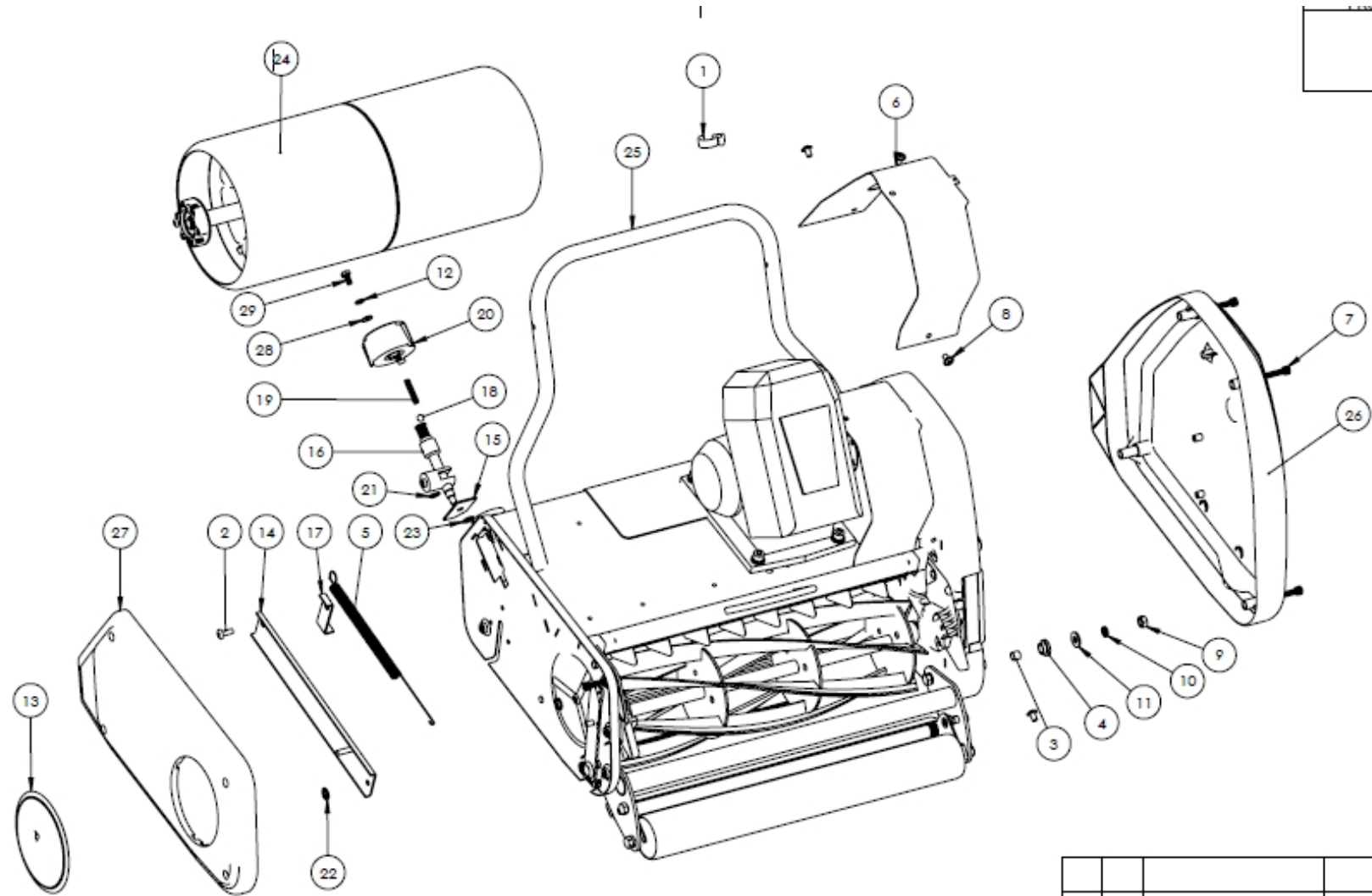
DRIVE ASSEMBLY

PAGE 1 OF 1: LIB43_DRV



COMMANDER VOS PIECES SUR WWW.GREENKEEPERS.FR

PARTS LIST



COMMANDER VOS PIECES SUR WWW.GREENKEEPERS.FR

REV.	ECR	DESCRIPTION	DRAWN BY DATE	CHKD BY DATE
REVISIONS				
PART DESCRIPTION		LI-ION 12 14 17		
REMOVE ALL BURRS AND SHARP EDGES		PART NUMBER		
Notice For General Tolerances for Machining Unless Otherwise Stated 30 = ±0.15mm 20 = ±0.25mm 15 = ±0.50mm		LI-ION 12 14 17		
General Angular Tolerance = ±0.5 degrees		MATERIAL DESCRIPTION		
Notice For General Tolerances for Fabrication Unless Otherwise Stated 100mm and under = ±1.0mm		FINISH		
WHERE USED		THIRD ANGLE		
WEIGHT		DIMENSIONS NOT TO		

PARTS LIST

TOP HANDLE
PAGE 1 OF 1: LIB43_TH



COMMANDER VOS PIECES SUR WWW.GREENKEEPERS.FR